

AEC-Q100 Qualified 600mA High Voltage Adjustable Current Regulator with Enable Control

Description

The [XR46004-Q](#) is a high voltage, low dropout current regulator of output current up to 600mA in maximum. Users can adjust the output current from 100mA to 600mA through an external resistor, RSET, which gives users flexibility in controlling the light intensity of the LEDs. Further, the LED brightness is adjustable via the OE pin with a Pulse Width Modulation signal.

The thermal protection function protects the IC from over temperature damage. Also, the exposed thermal pad enhances the package power dissipation.

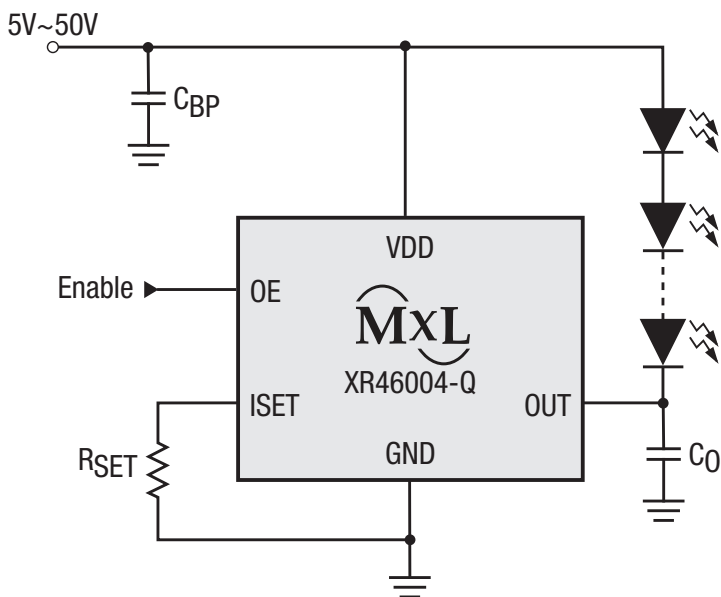
FEATURES

- Automotive AEC-Q100 Qualified
- 600mA maximum output current
- Output current adjustable via external resistor
- 3μs fast response output stage enable control
- Output sustaining voltage up to 75V
- Wide supply voltage range: 5V to 50V
- TO-252-5L package
- Green package

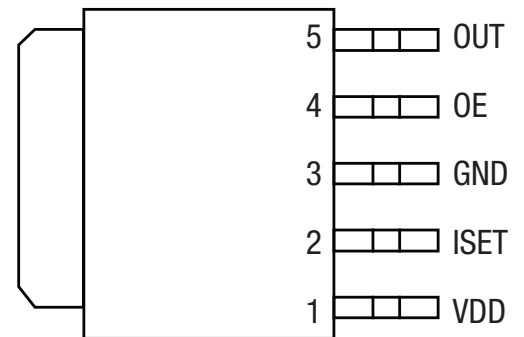
APPLICATIONS

- Map lights
- Accent lights
- Projector lights

Typical Application



Pin Configuration



TO-252-5L, Top View

Ordering Information⁽¹⁾

Part Number	Operating Temperature Range	Lead-Free	Package	Packaging Method
XR46004ETCTR-Q	-40°C ≤ T _J ≤ 125°C	Yes ⁽²⁾	TO-252-5L	Tape and reel

NOTE:

1. Refer to www.exar.com/XR46004-Q for most up-to-date Ordering Information.
2. Visit www.exar.com for additional information on Environmental Rating.

Please contact LEDtechsupport@exar.com to request a complete datasheet.



Corporate Headquarters:
 5966 La Place Court
 Suite 100
 Carlsbad, CA 92008
 Tel.: +1 (760) 692-0711
 Fax: +1 (760) 444-8598
www.maxlinear.com

High Performance Analog:
 1060 Rincon Circle
 San Jose, CA 95131
 Tel.: +1 (669) 265-6100
 Fax: +1 (669) 265-6101
 Email: LEDtechsupport@exar.com
www.exar.com

The content of this document is furnished for informational use only, is subject to change without notice, and should not be construed as a commitment by MaxLinear, Inc.. MaxLinear, Inc. assumes no responsibility or liability for any errors or inaccuracies that may appear in the informational content contained in this guide. Complying with all applicable copyright laws is the responsibility of the user. Without limiting the rights under copyright, no part of this document may be reproduced into, stored in, or introduced into a retrieval system, or transmitted in any form or by any means (electronic, mechanical, photocopying, recording, or otherwise), or for any purpose, without the express written permission of MaxLinear, Inc.

MaxLinear, Inc. does not recommend the use of any of its products in life support applications where the failure or malfunction of the product can reasonably be expected to cause failure of the life support system or to significantly affect its safety or effectiveness. Products are not authorized for use in such applications unless MaxLinear, Inc. receives, in writing, assurances to its satisfaction that: (a) the risk of injury or damage has been minimized; (b) the user assumes all such risks; (c) potential liability of MaxLinear, Inc. is adequately protected under the circumstances.

MaxLinear, Inc. may have patents, patent applications, trademarks, copyrights, or other intellectual property rights covering subject matter in this document. Except as expressly provided in any written license agreement from MaxLinear, Inc., the furnishing of this document does not give you any license to these patents, trademarks, copyrights, or other intellectual property.

Company and product names may be registered trademarks or trademarks of the respective owners with which they are associated.

© 2015-2017 MaxLinear, Inc. All rights reserved