

LoRa Module

1. Features

- RF/BB Chipset : SX1276
- MCU Chipset : STM32L082
- >CPU : Cortex M0+
- >RAM : 20KB
- >Flash : 192KB
- Peripheral Interfaces : UART/SPI/I2C/GPIOs/ADC
- Radio Certification : Check Datasheet
- Module Size : 12.5mm x 11.6mm x 1.76mm
- Package : Metal Shielding

2. Characteristics

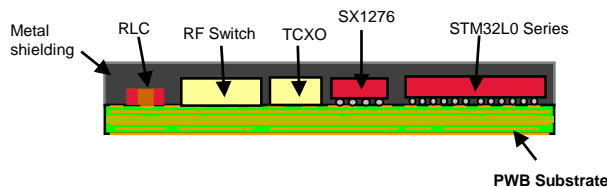
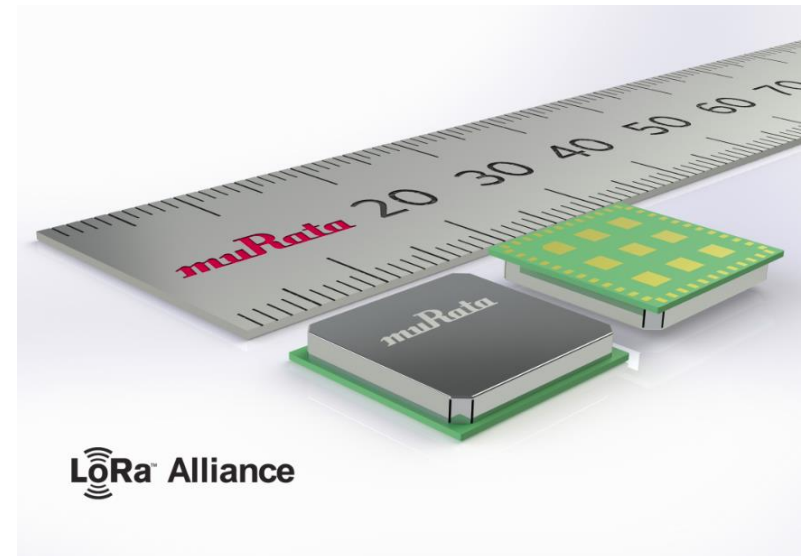
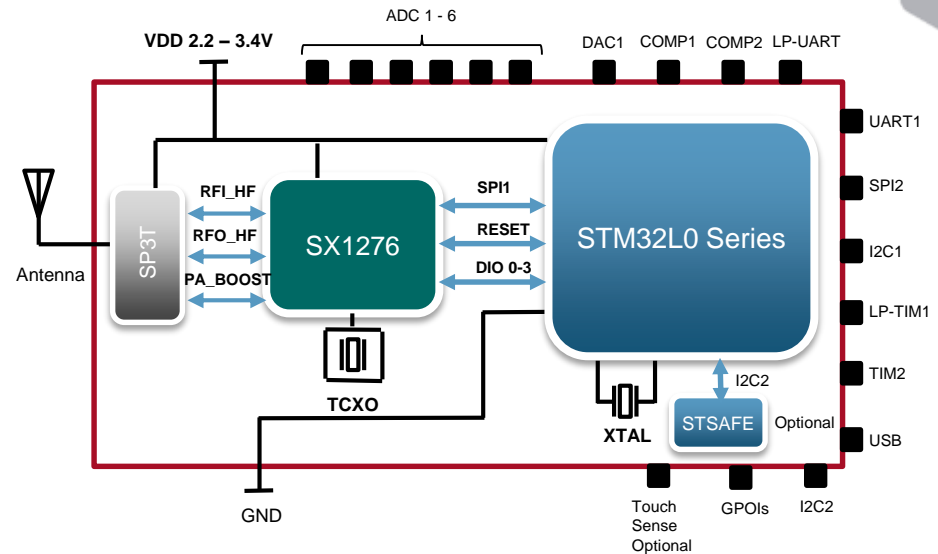
- Frequencies : EU \ US \ India \ Pacific
- Operating Temp : -40 to +85 °C
- Supply Voltage : 2.2V – 3.6V
- RF Transmit Power : +14dBm / +20dBm (with PA boost)
- RF Sensitivity : -135dBm

3. Target Markets

: Smart Meter, Tracking, M2M...

4. Part Number

: CMWX1ZZABZ-078



Mouser Electronics

Authorized Distributor

Click to View Pricing, Inventory, Delivery & Lifecycle Information:

[Murata:](#)

[CMWX1ZZABZ-078](#)